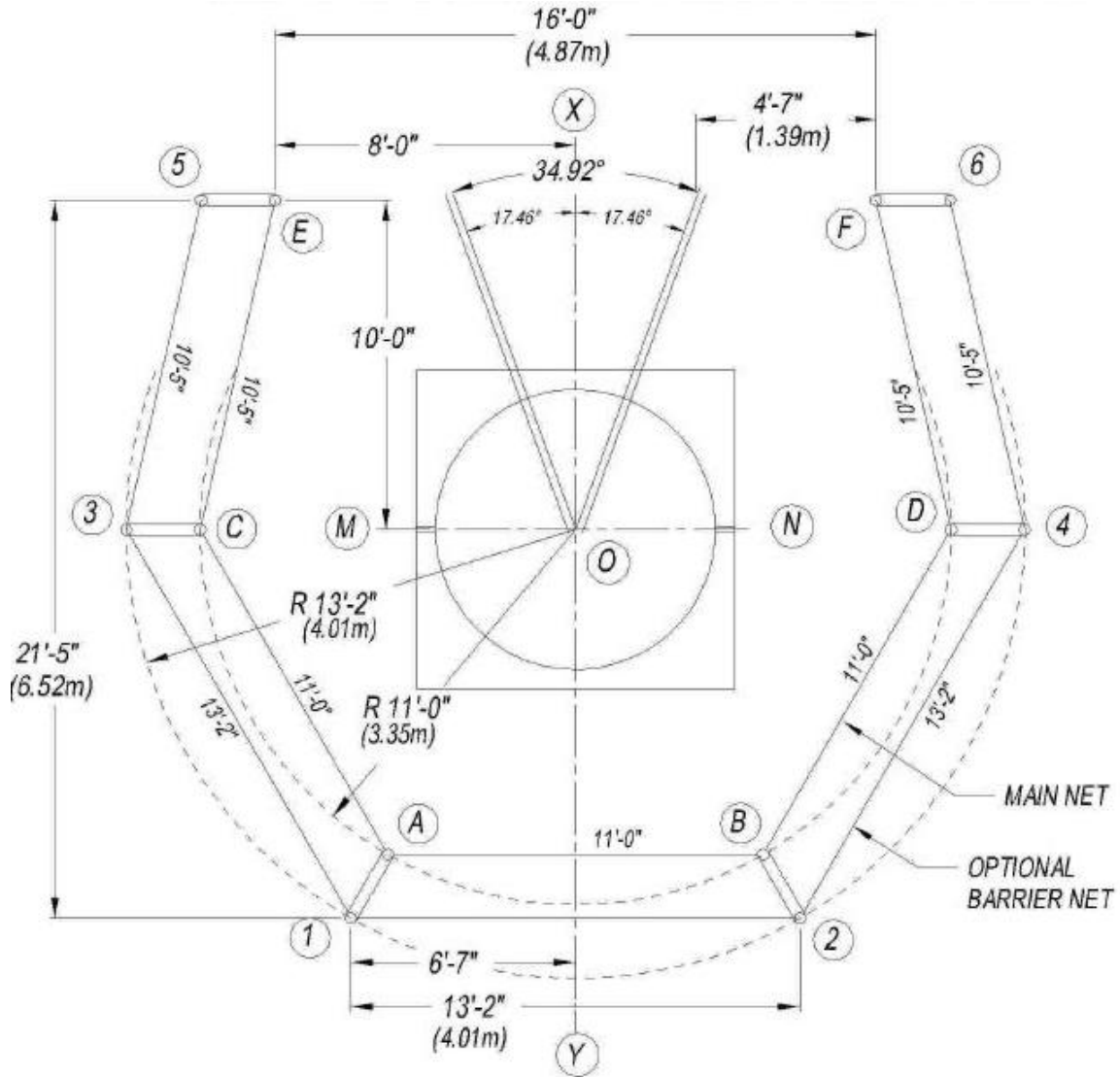


<http://btaequipmentroom.com/>



## DISCUS LAYOUT NFHS RULING 2006 2007